



Blowers & Gas Boosters

This centrifugal blower, exhauster and gas booster is of robust construction and designed to run continuously under full load conditions handling a wide variety of gases or air. The shaft is sealed to isolate the bearings. Standard machines have a cast iron bearing housing, with aluminium volute casing and impeller.

Boosters can be supplied as a basic unit with baseplate and motor, or as a package with pressure switches and control panel wired and fitted as shown in the photograph, to comply with IGEM/UP/2. All options are available as duplex sets with one unit on standby, and packaged with approved controls.

Compliant to : IGEM / UP / 2
ATEX DIRECTIVE : 2014 / 34 / EU
MACHINERY DIRECTIVE : 2006 / 42 / EC
BSEN 8487 : 2007

Model 700A

Air Blowers:

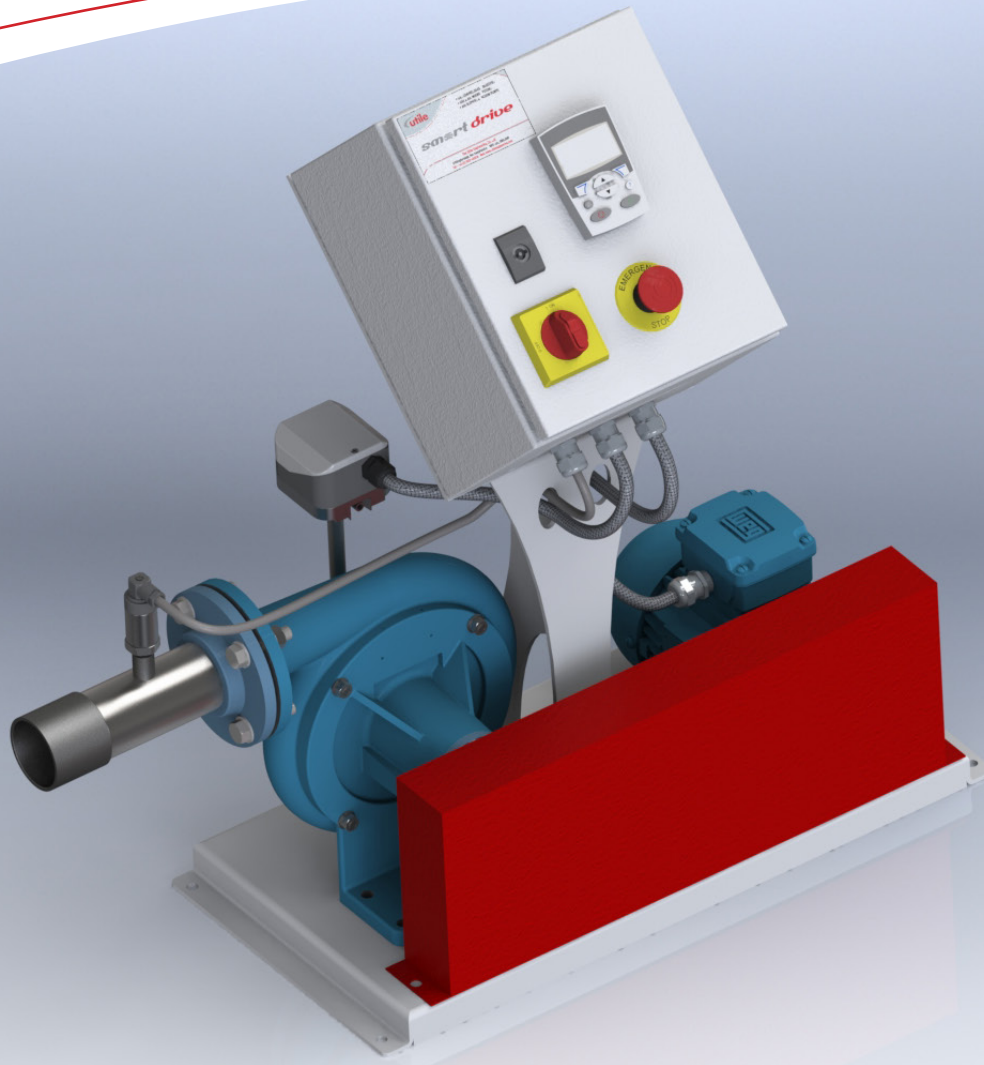
Aeration
Burners

Gas Boosters:

Burners
Gas Engines
Waste Gas Burners
Siloxane & H₂S Filters

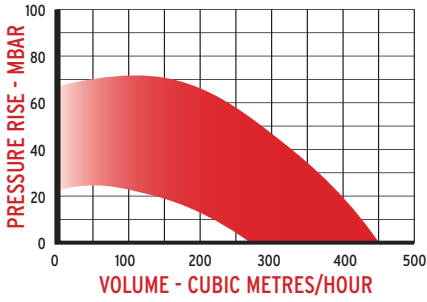
Ancillary Equipment:

- Inlet low pressure switch
- Isolating valves
- Inlet and discharge flexible connectors, inlet non-return valves, discharge check valves
- Acoustic/weatherproof enclosures are available
- Motors and ancillaries available for zoned areas
- Filters silencers for blowers/exhausters
- Starter/control panel

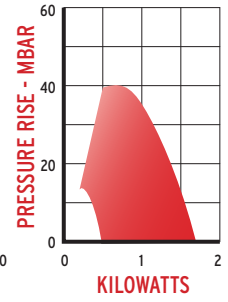
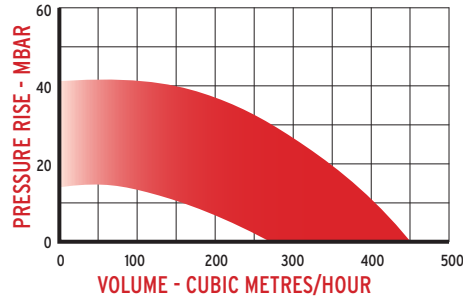
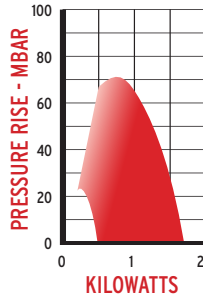


Dimensions & Performances

MODEL 700 (AIR)

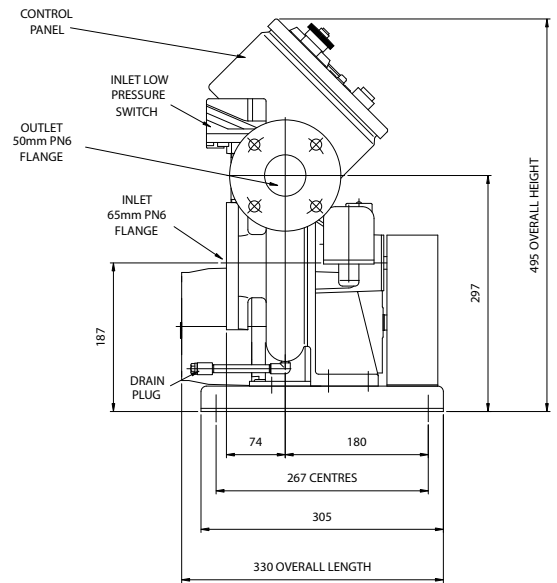
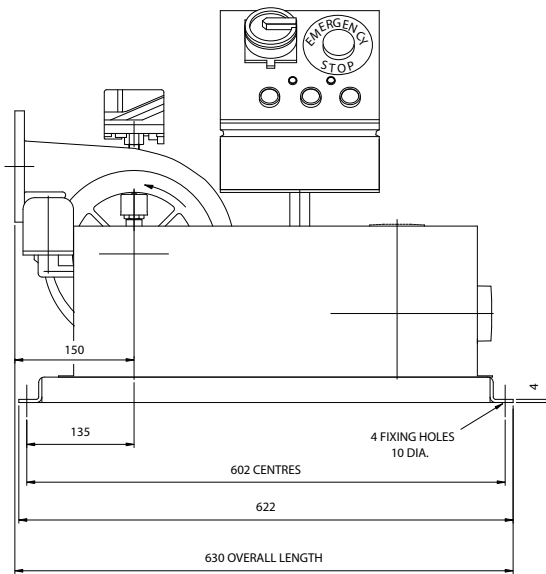


MODEL 700 (NAT. GAS SG=0.6)



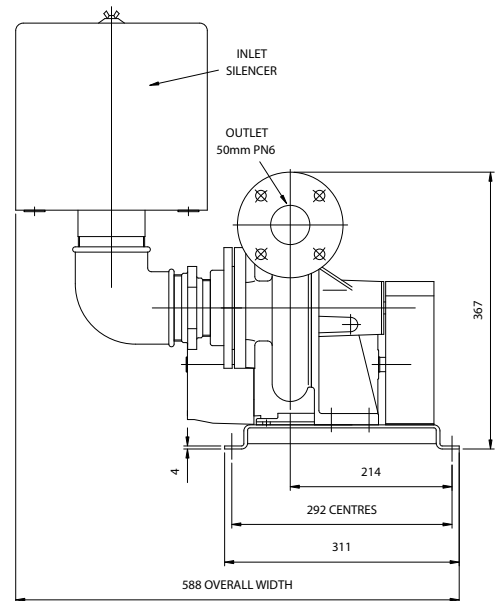
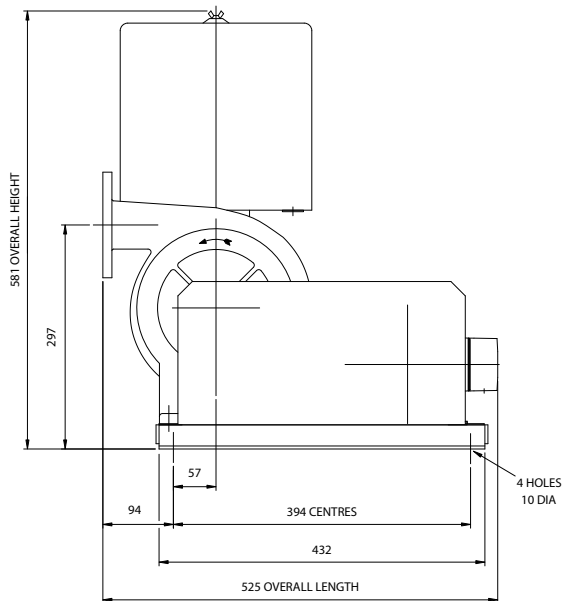
GAS BOOSTER SET

kW	Weight (Kgs)
0.37	34
0.55	34
0.75	38
1.10	38
1.50	46
2.20	48



BLOWER SET

kW	Weight (Kgs)
0.37	36
0.55	36
0.75	40
1.10	40
1.50	48
2.20	50



Whilst the details contained in this leaflet are representative of the machines, the actual products may differ from the illustrations due to improvements in design. Certified copies and performance curves will be supplied on request.