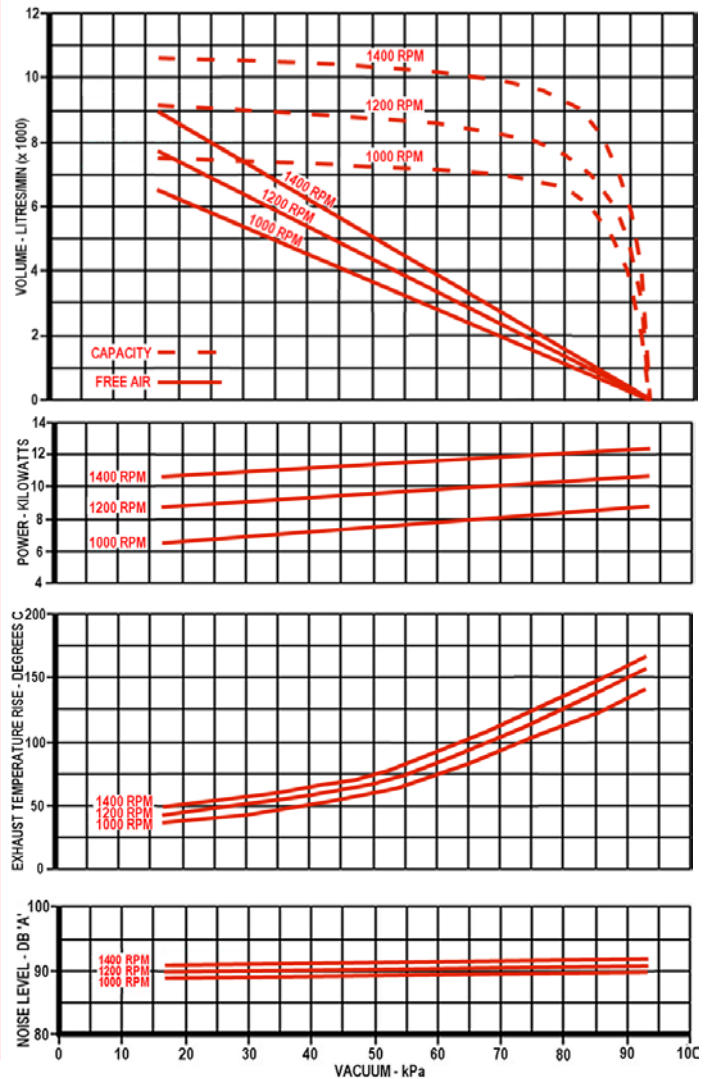




Model SP300 Lubricated Rotary Sliding Vane Vacuum Pump

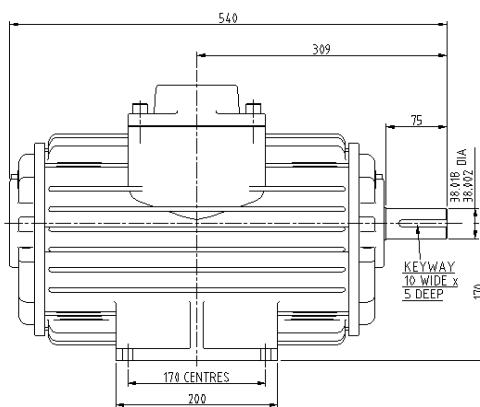
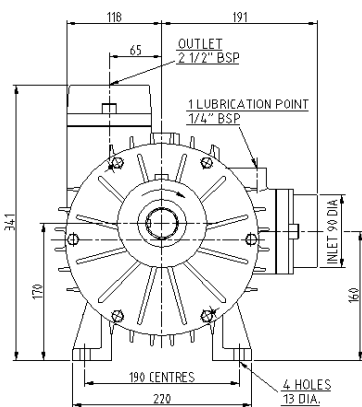


Air Performance Figures



Materials of Construction

| Component | Material Specification |
|------------------------|--|
| Cylinder | Grey Cast Iron EN-GJL-200 / EN-JL-1030 (EN1561) |
| Coverplates | Grey Cast Iron EN-GJL-200 / EN-JL-1030 (EN1561) |
| Rotor / Shaft Assembly | S.G. Iron EN-GJS-400-15 / EN-JS-1030 (EN1563) |
| Sleeves | Grey Cast Iron EN-GJL-200 / EN-JL-1030 (EN1561) |
| Flanges | Grey Cast Iron EN-GJL-200 / EN-JL-1030 (EN1561) |
| Blades | Non Asbestos Resin Bonded Fabric |
| Ball Bearing | Single row, deep groove ball with metal cage Clearance - Normal |
| Lip Seals | Steel cased, Viton |



SPEED

| | | | |
|---------------|---|------|-----|
| Maximum Speed | - | 1440 | RPM |
| Minimum Speed | - | 900 | RPM |

TEMPERATURE

| | | | |
|------------------|---|----|----|
| Max. Inlet Temp. | - | 40 | °C |
|------------------|---|----|----|

INERTIA

| | | | |
|-------------------|---|-------|------------------|
| Moment Of Inertia | - | 0.169 | Kgm ² |
|-------------------|---|-------|------------------|

WEIGHT

| | | | |
|--------------------|---|-----|-----|
| Approximate Weight | - | 115 | kgs |
|--------------------|---|-----|-----|

LUBRICATION

Bearings greased for life using SHELL Albida RA grease.
Blades lubricated via a single lubrication point using SHELL Rimula 15W/40 oil

BEARING ARRANGEMENT

Ball bearing both ends giving approximate life values of drive end 11000 hours and rear end 19000 hours.