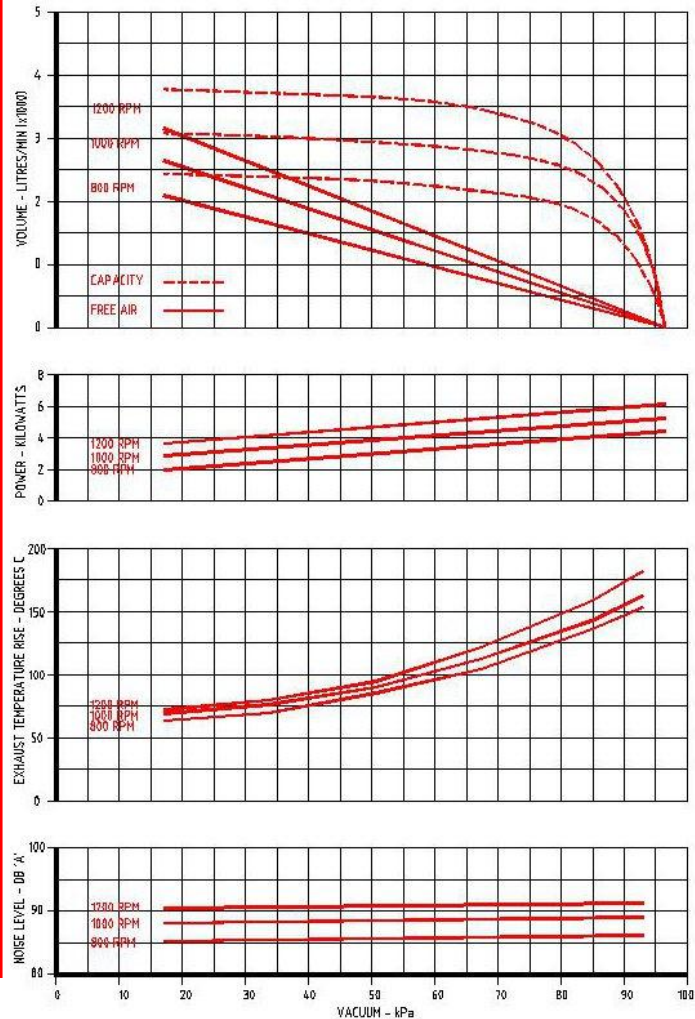




# Model MPD100 Dry Rotary Sliding Vane Vacuum Pump

## Air Performance Figures



## Materials of Construction

Component	Material Specification
Cylinder	Grey Cast Iron EN-GJL-200 / EN-JL-1030 (EN1561)
Coverplates	Grey Cast Iron EN-GJL-200 / EN-JL-1030 EN1561)
Rotor / Shaft Assembly	S.G. Iron EN-GJS-400-15 / EN-JS-1030 (EN1563)
Sleeves	Grey Cast Iron EN-GJL-200 / EN-JL-1030 (EN1561)
Flanges	Grey Cast Iron EN-GJL-200 / EN-JL-1030 (EN1561)
Blades	Resin Bonded Graphite
Ball Bearing	Single row, deep groove ball with metal cage Clearance - Normal
Shaft Seal	Steel cased, Double lip, Viton
Bearing Seal	Steel cased, Double lip, PTFE

## BEARING ARRANGEMENT

Ball bearing both ends giving approximate life values of 200000 hours drive end and rear end.

## LUBRICATION

Bearings greased for life.

## SPEED

Maximum Speed (Continuous)	-	1100	RPM
Maximum Speed (Intermittent)	-	1250	RPM
Minimum Speed	-	800	RPM

## TEMPERATURE

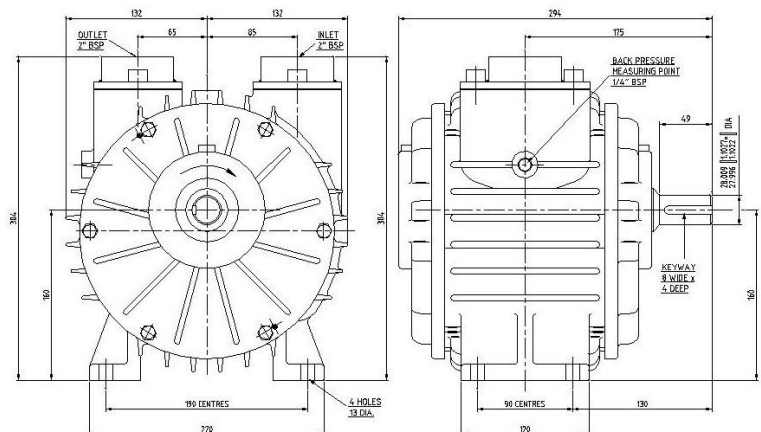
Max. Inlet Temp.	-	40	°C
------------------	---	----	----

## INERTIA

Moment Of Inertia	-	0.068	Kgm <sup>2</sup>
-------------------	---	-------	------------------

## WEIGHT

Approximate Weight	-	49	kgs
--------------------	---	----	-----



GAS COMPRESSORS / BOOSTERS • GAS & AIR MIXING SYSTEMS • AIR BLOWERS & VACUUM PUMPS

The Utile Engineering Co. Ltd. Irthlingborough, Northamptonshire, NN9 5UG, ENGLAND

Telephone: + 44 (0) 1933 650216 Facsimile: + 44 (0) 1933 652738 Email: sales@utileengineering.com www.utileengineering.com

23/11/12

1

Page 1 of 1