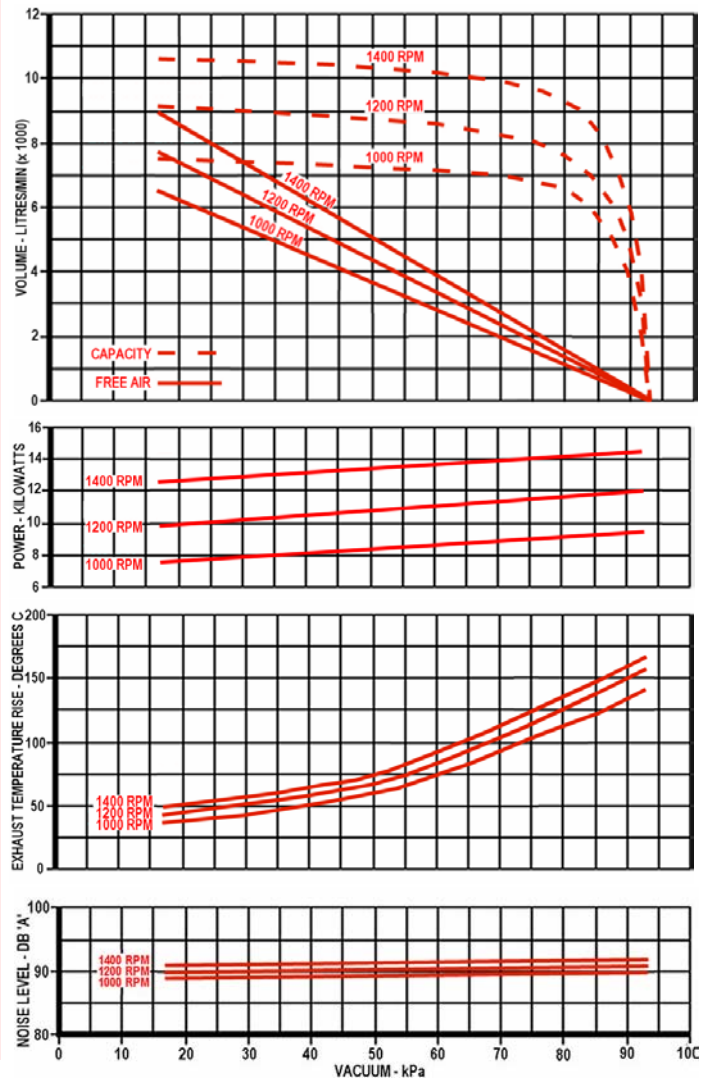




Model MP300 Lubricated Rotary Sliding Vane Vacuum Pump

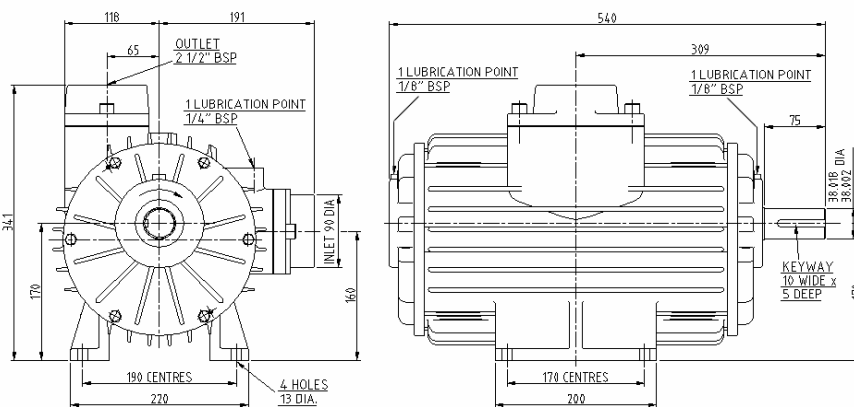


Air Performance Figures



Materials of Construction

Component	Material Specification
Cylinder	Grey Cast Iron EN-GJL-200 / EN-JL-1030 (EN1561)
Coverplates	Grey Cast Iron EN-GJL-200 / EN-JL-1030 (EN1561)
Rotor / Shaft Assembly	S.G. Iron EN-GJS-400-15 / EN-JS-1030 (EN1563)
Sleeves	Grey Cast Iron EN-GJL-200 / EN-JL-1030 (EN1561)
Flanges	Grey Cast Iron EN-GJL-200 / EN-JL-1030 (EN1561)
Blades	Non Asbestos Resin Bonded Fabric
Ball Bearing	Single row, deep groove ball with metal cage Clearance - Normal
Lip Seals	Steel cased, Viton



SPEED

Maximum Speed - 1440 RPM
Minimum Speed - 900 RPM

TEMPERATURE

Max. Inlet Temp. - 40 °C

INERTIA

Moment Of Inertia - 0.169 Kg^m²

WEIGHT

Approximate Weight - 115 kgs

LUBRICATION

Bearings and blades lubricated using SHELL Rimula 15W/40 oil

BEARING ARRANGEMENT

Ball bearing both ends giving approximate life values of drive end 11000 hours and rear end 19000 hours.