



Watercooled Rotary Air And Gas Compressors

The larger MD series consists of two watercooled machines designed for continuous running under arduous conditions, suitable for air or gas applications.

Rugged construction coupled with many years of development ensures long life and high efficiency for these compressors that are available as bare shaft or complete packaged units. The simple design of the rotary vane compressor with few moving parts ensures operational reliability, low noise levels and minimal maintenance.

The shaft is mounted on heavy roller bearings at both ends with axial location. Ample waterjackets are cast into the cylinder and coverplates to give cool running and the cylinder is bored to a fine finish to ensure long vane life, and low noise levels.

The sliding vanes are manufactured from a Kevlar based material having excellent wearing properties. Lubrication of the bearings, seals and cylinder is by means of a mechanical lubricator direct driven by the shaft at the rear end.

Compliant to : IGE / UP / 2
MACHINERY DIRECTIVE
ATEX DIRECTIVE

MD630-920

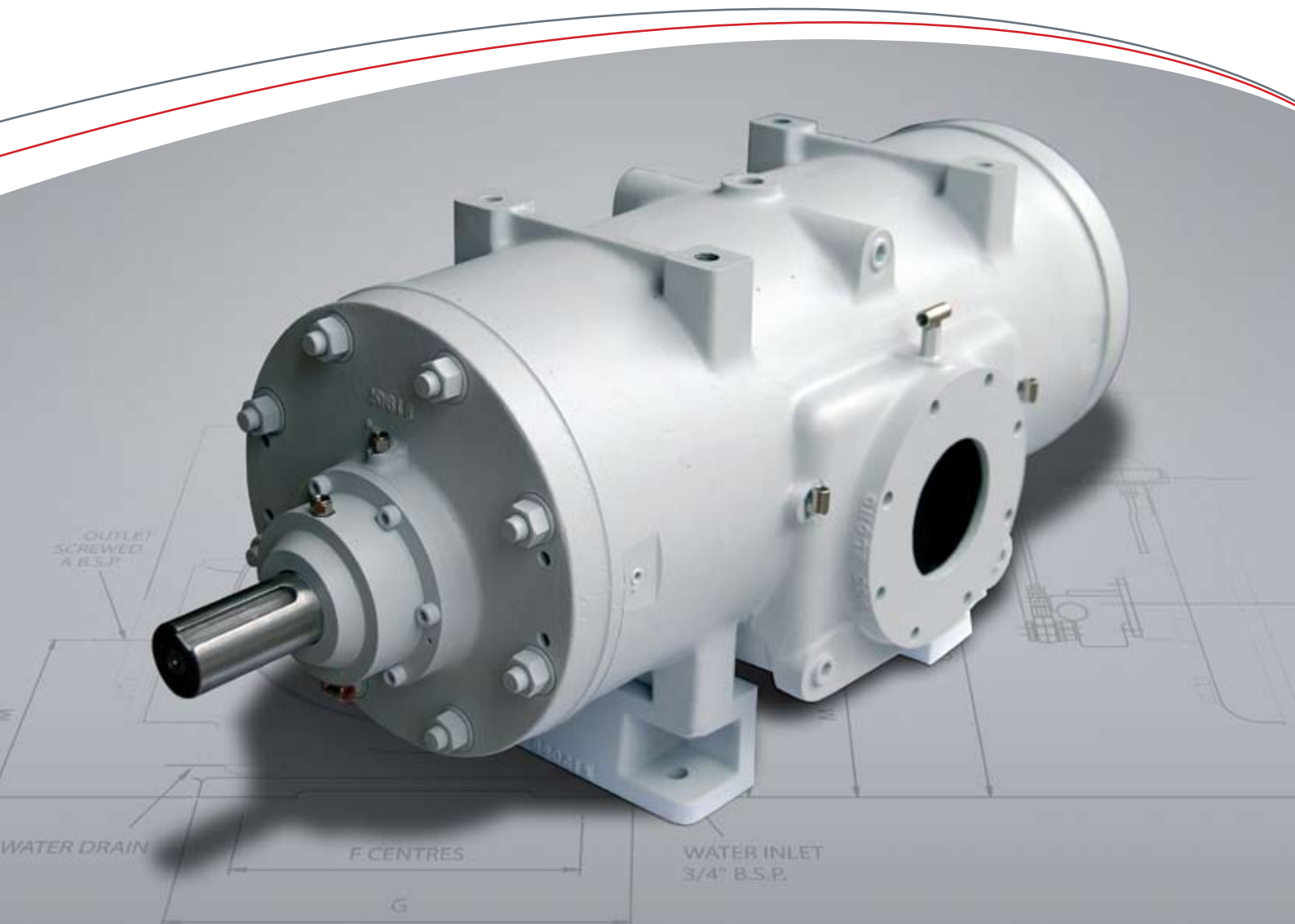
Air/Gas Compressors:

Burners
Digester Gas Mixing
Gas Engines
Aeration

Vacuum Pumps:

Liquid Waste Tankers

- Optional mechanical shaft seals are available for gas compressors
- Special tools are not required to replace or inspect the vanes for wear
- Cylinders, coverplates are manufactured in Cast Iron with the rotor and shaft assembly in Ductile Iron



Dimensions & Performances

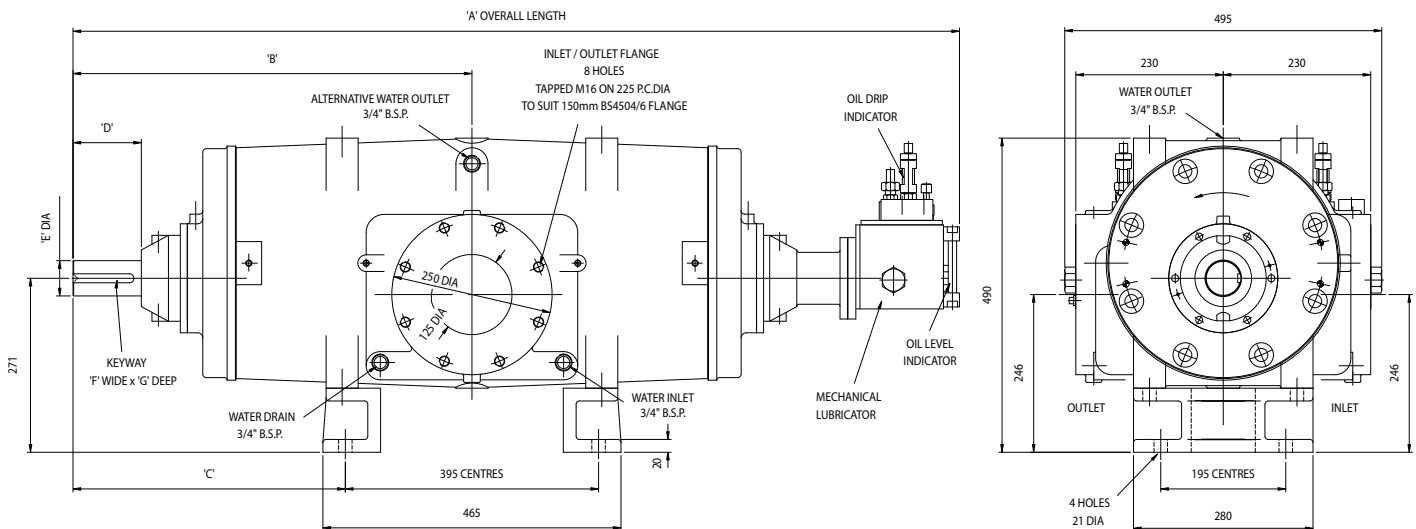
PERFORMANCE - Compressors (F.A.D. And POWER)

PRESSURE		MODEL	MD 630			MD 920		
PSIG	BAR	RPM	750	850	950	750	850	950
25	1.7	m ³ /hr	696	790	883	959	1087	1240
		kW	32.8	38.8	45.5	50.7	54.5	58.9
30	2.1	m ³ /hr	688	781	866	942	1070	1222
		kW	37.3	44.1	51.5	56.7	61.2	65.7
35	2.4	m ³ /hr	671	764	858	917	1061	1206
		kW	41.1	49.2	57.4	63.4	67.9	71.7
40	2.8	m ³ /hr	662	747	841	900	1044	1189
		kW	45.5	54.5	63.4	69.4	73.9	78.3

Note: All units are factory tested. Volumes listed are based on standard conditions measured on AIR at sea level, 14.7 psia (1 bara) and 60°F (16°C). Actual volumes will vary with changes in elevation, inlet pressure and ambient temperature.

DIMENSIONS

All dimensions in millimetres except water inlet and outlets.



MODEL	A	B	C	D	E	F	G	Kgs
MD630	1125	494	297	109	45.000 44.950	14	5	350
MD630HP	1154	508	311	107	55.000 54.950	16	6	352
MD920HP	1383	622	425	107	55.000 54.950	16	6	452

Whilst the details contained in this leaflet are representative of the machines, the actual products may differ from the illustrations due to improvements in design. Certified copies and performance curves will be supplied on request.