



Side Channel Compressors And Exhausters

This series of reliable machines are of robust construction and designed for use where air/gas is required for plant or machinery at pressures upto 285 mbar with a low noise level.

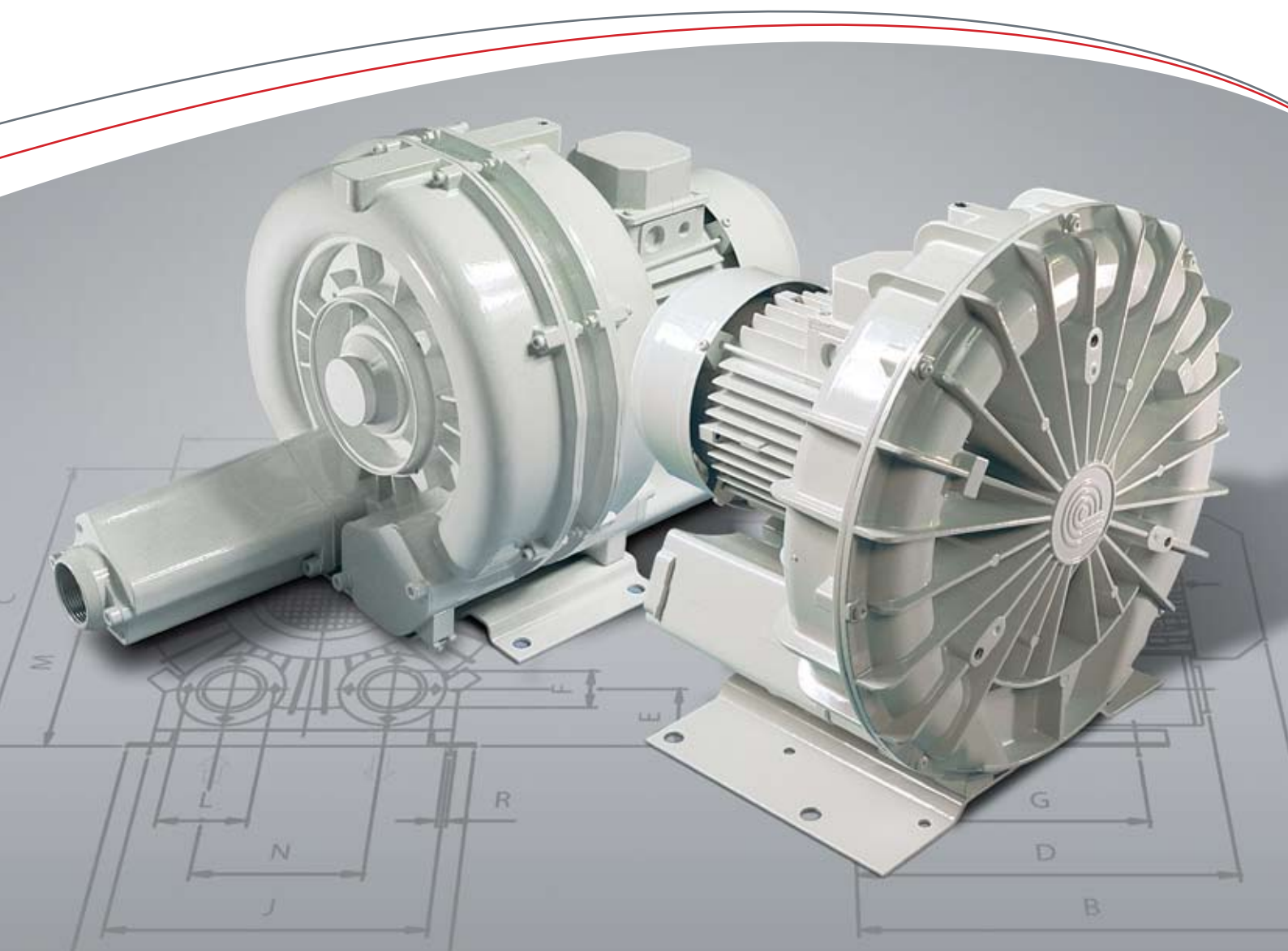
Ancillary Equipment includes: Inlet Air Filter, Pressure Relief Valves, Non-Return Valves, Flexible Connectors, Additional Silencers, Pressure Gauges, Shock Insulation Mountings, Thermometers, Flow Regulating Valves, Discharge Air Coolers, Vacuum/Pressure Combined Valves

JET SERIES

Vacuum Pump:
Central Vacuum Systems

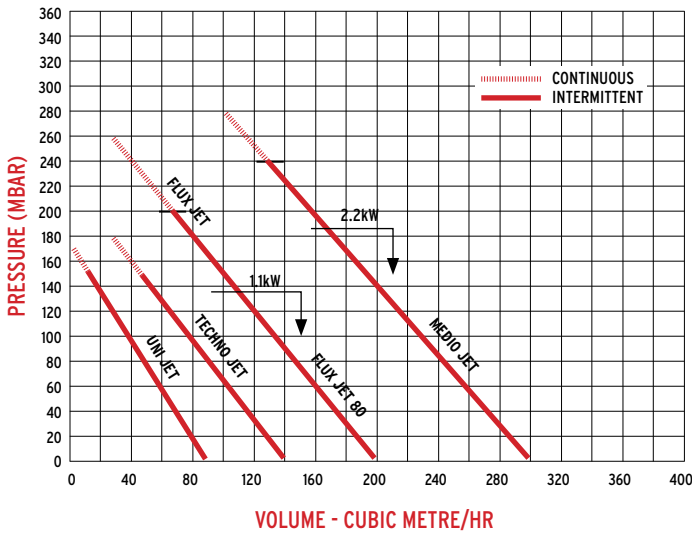
Air Blowers:
Aeration
Blowers

- Minimal maintenance
- Low noise level
- Compact design
- Pulsation free action and low vibration
- Oil free delivery

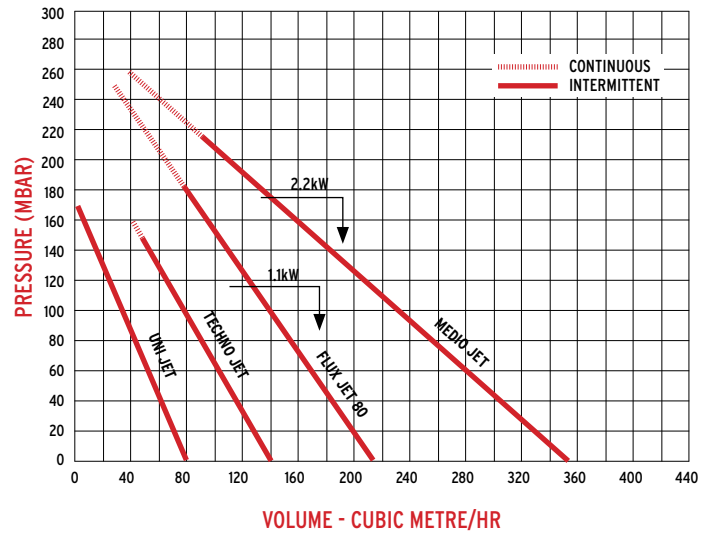


Dimensions & Performances

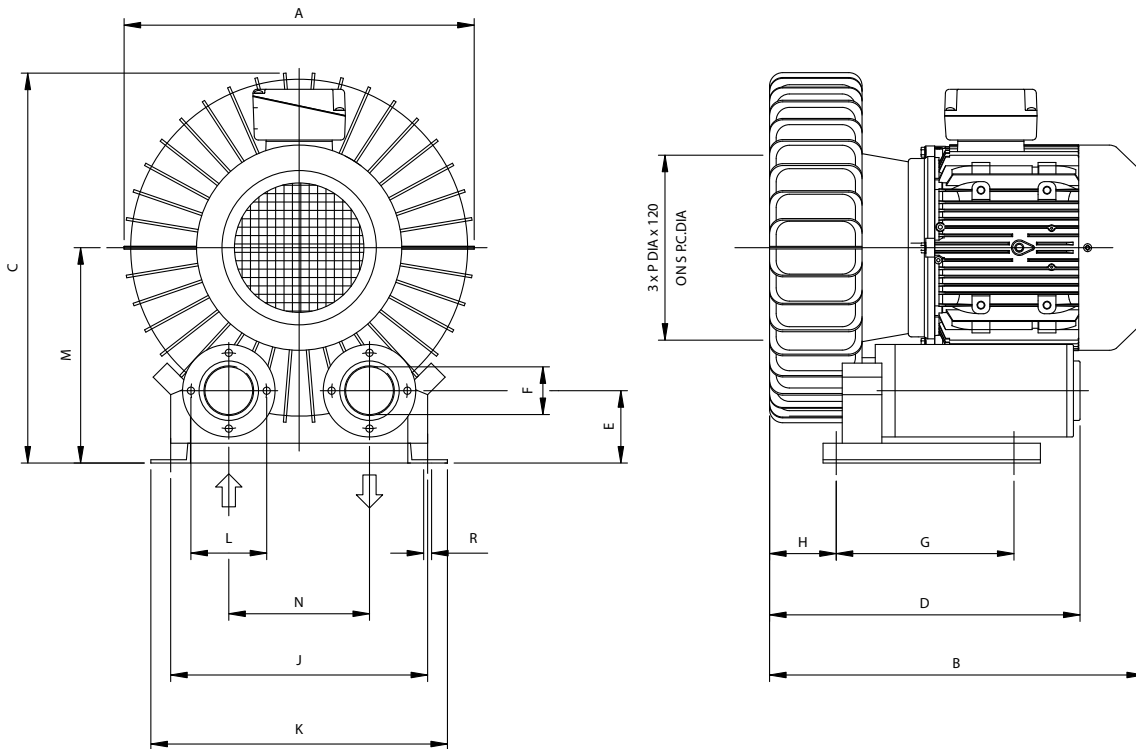
COMPRESSOR



EXHAUSTER



Note: All units are factory tested. Volumes and capacities listed based on manufacturer's average performance measured at sea level and 16°C. Actual volumes and capacities will vary with changes in elevation and ambient temperatures



MODEL	kW		A	B	C	D	E	F	G	H	J	K	L	M	N	P	R	S	kg
	1PH	3PH																	
UNIJET 75	0.37	0.37	246	231	251	247	41	36 DIA	80	72	205	225	64	133	88.5	M6	10x18	140	10
TECHNOJET	0.75	0.75	303	302	319	259	63	1 1/2"	95	44	225	250	74	168	105	M6	12	175	18
FLUXJET 80	----	1.10	334	290	341	270	47	1 1/2"	115.5	86	260	292	83	174	120	M8	14	200	19
FLUXJET	1.10	1.50	334	283	341	270	47	1 1/2"	115.5	86	260	292	83	174	120	M8	14	200	21
MEDIOJET	2.20	2.20	395	332	415	315	74	2"	140	110	290	320	83	217	125	M8	15	240	30
MEDIOJET	----	3.00	395	357	415	315	74	2"	140	110	290	320	83	217	125	M8	15	240	32

Whilst the details contained in this leaflet are representative of the machines, the actual products may differ from the illustrations due to improvements in design. Certified copies and performance curves will be supplied on request.